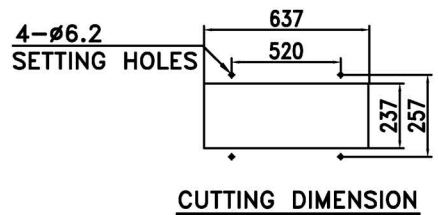
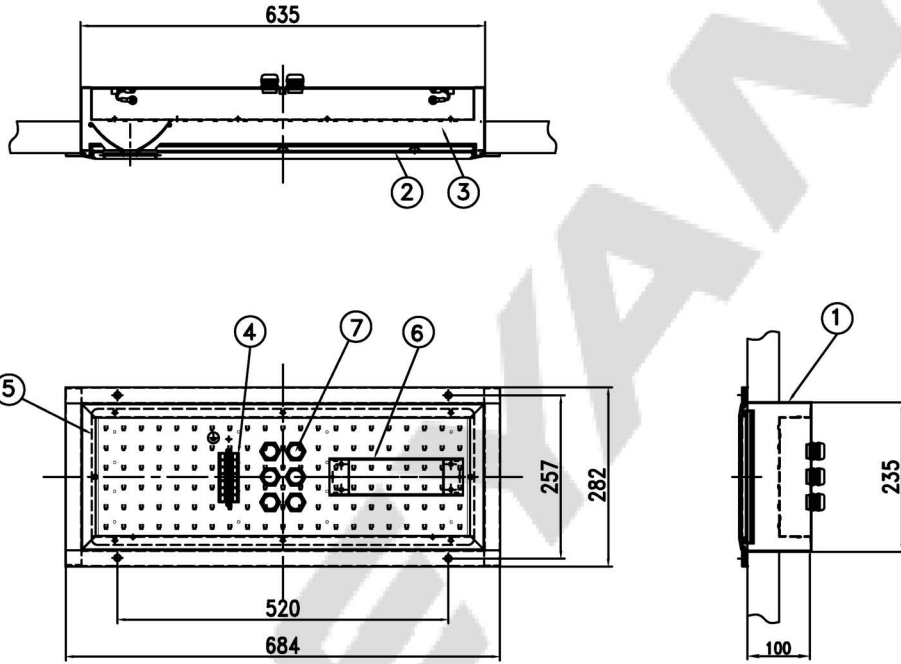


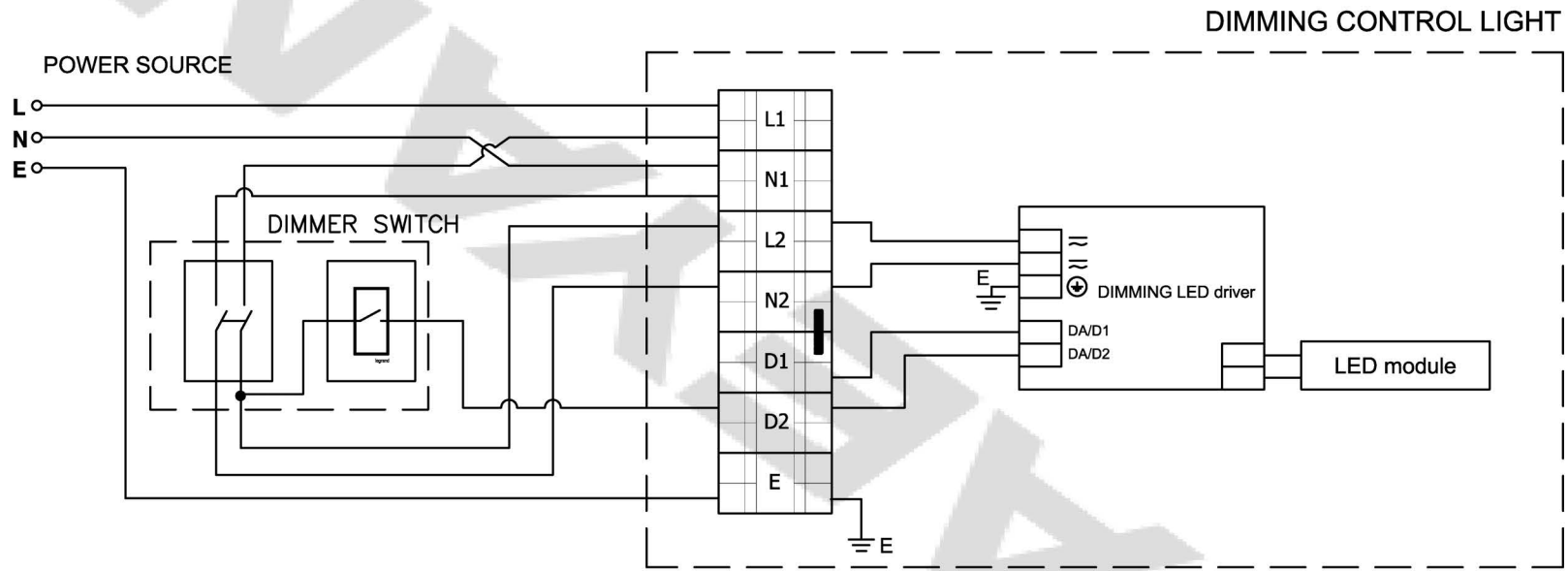
CAPACITY	SYMBOL/SERIAL NO.	CIRCUIT DIAGRAM
AC100-240V, 50/60Hz		
28W		



					4	TERMINAL BLOCK	-	1	CLAMPING 7P
7	CABLE GLAND(R25M)	BRASS	6	ø9~ø17	3	LED module	-	1	3,000±300K
6	DIMMING LED driver	-	1		2	GLOBE	ACRYL	1	
5	LED module BRACKET	STEEL	1		1	BODY	STEEL	1	
NO	NAME OF PARTS	MATERIAL	Q'TY	REMARKS	NO	NAME OF PARTS	MATERIAL	Q'TY	REMARKS

APPROVED	J. W. PARK	UNIT	MM	TITLE; NO-GAP LED CEILING LIGHT (DIMMING TYPE) FOR MARINE USE			
CHECKED	S. M. SON	SCALE	N/S				
DRAWING	B. K. HWANG	COLOR	N-9.3				
DATE	2022.01.18	IP	44				
				MODEL NO.	LEB128WF-0550SNQC30D-A(R25M)	WEIGHT	7.5 Kg
				DWG NO.	LO1150229	SHEET NO.	18

NO	CONTENT	DATE	REVISER	APPROVAL
△				
△				
△				



TITLE: LEB128WF-0550SNQC30D-A		SCALE	1/1	UNIT	MM	NO.	REVISED
Connection Diagram		PROJECT METHOD	⊕	WEIGHT	KG	△	
						△	
		APPROVED	B. K. KIM			MATERIAL	ASS'Y
		CHECKED	W. J. JI				
		DRAWN	B. I. KIM			DWG NO.	
		DATE	2015.12.04			SHEET NO.	18-A